

Holmatro Cutter CU 4007 C

Handy Control for Versatile Cutting



Product Overview

- Holmatro Cutter CU 4007 C. General Purpose Cutter - CORE version.
- Standard supplied with:
 - Removable spreading tips
 - Carrying Handle with integrated LED lighting
 - i-Bolt Technology
 - Redesigned, ergonomic control handle with improved grip
 - CORE Technology: quicker, safer, easier

Key Features

- **Compact, lightweight, versatile cutter:** Easy to use in confined spaces
- **Push-button control:** Easy one-handed positioning and operation
- **Blades optimized for both round and flat profiles:** Suitable for many different applications, e.g. cutting car pedals, head restraints and (in USAR operations) re-bar
- **i-Bolt Technology included:**
 - Much flatter design for better access into narrow spaces
 - Squeezes blades together more tightly, resulting in less blade separation and improved cutting performance
 - Stainless steel cover protects bolt
- **Perfect balance:** Easy to pick up and to carry
- **For both left- and right-handed operators:** Easy operation in any position

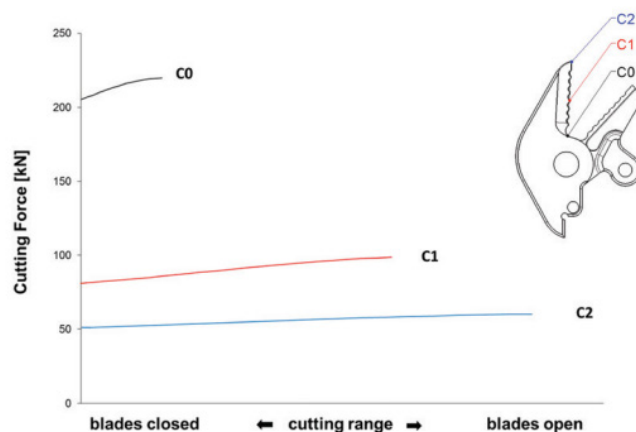
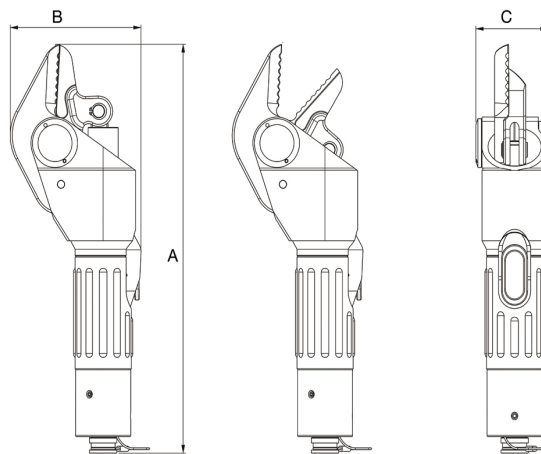


Holmatro

Cutter CU 4007 C

Unrivalled Performance | Superior Usability

Specifications		
Article number		151.012.232
Model		CU 4007 C
Equipped with (connector type)		CORE
Short description		Cutter
Max. working pressure	bar/Mpa	720 / 72
Max. cutting opening	mm	59
Theoretical cutting force	kN/t	220 / 22.4
Required oil content (effective)	cc	24
Hydraulic oil type		ISO-L HV VG 15/22
NCT		No
Weight (without hose)	kg	3.8
Temperature range	°C	-20 +55
Dimensions (AxBxC)	mm	377 x 131 x 72
Weight, ready for use (hose connected acc. EN 13204 2025 Ed.)	kg	4.8
EN 13204 classification		AC59B-3.8
EN 13204, cutting capacity		1C 2C 3C
NFPA 1936, cutting capacity		A4 B3 C2 D4 E4
NFPA 1960, cutting capacity		√
EN 13204 2025 Ed classification		CU1-59B
Round bar (S235 acc. to EN 13204)	mm	20



Safety Factors / Tests	
Hydraulic safety factor	2:1
Endurance test tool	1000 cycles of biting in material that cannot be cut
Endurance test dead man's handle	6000 cycles

Standard supplied with
<ul style="list-style-type: none"> • i-Bolt Technology • CORE Technology - Quicker (saves time) - Safer (more user-friendly) - Easier (allows more efficient use of manpower)

